

MAYTONI DUNE 10-LIGHT CEILING LIGHT - CHROME

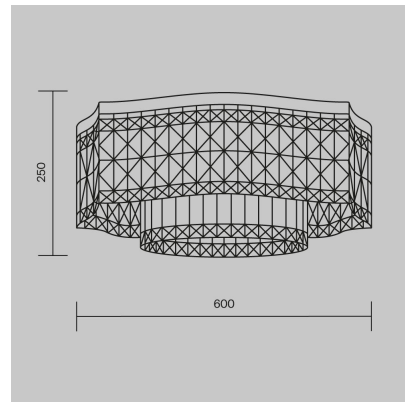


€ 508,00

The **Dune 10-light chrome** ceiling light is a decorative lamp designed for elegant and bright environments, where light also becomes a furnishing element.

SKU: DIA005CL-10CH | **Categories:** [New products](#), [Ceiling lamp](#), [Indoor Lighting](#) | **Tags:** [crystal ceiling lamp](#)

GALLERIA IMMAGINI



DESCRIZIONE PRODOTTO

The **Dune 10-light chrome** ceiling light is a decorative lamp designed for elegant and bright environments, where light also becomes a furnishing element.

The metal frame with a chrome finish provides brilliance and visual lightness, while crystals of various shapes enrich the design with refined reflections. The result is an important ceiling light, suitable for enhancing halls, living rooms, bedrooms, entrances, and classic-modern environments.

Thanks to its 60 cm diameter, this version is suitable for medium and large rooms. The chrome finish makes it particularly suitable for elegant, modern, and bright interiors, but also for more classic environments reinterpreted in a contemporary key.

The Dune collection stands out for its decorative taste, the crafted base, and the crystal details, capable of creating a welcoming and sophisticated atmosphere.

A **6-light ceiling light** version is also available, ideal for smaller rooms or for those who desire a more compact solution.

Technical Specifications

- Frame finish: chrome
- Number of lamps: 10 x E14
 - Power: 60 W
 - Dimmable: no
 - IP rating: IP20

- Protection class: Class 1
- Voltage: AC 220-240 V
 - Diameter: 600 mm
 - Height: 250 mm

INFORMAZIONI AGGIUNTIVE

Diameter	60
Hight	25
Style	Contemporary , Classic- modern
structure	Metal
Available colours	Cromo
light bulbs	not included
product type	Ceiling lamp
Rooms	Living room , Dining room
Product ready in	25 days

Product ready in

25 days

Do you want to receive this product in non-EEC countries with the exception of Switzerland and the United Kingdom? [Click here for more information!](#)

I have read and accept [Privacy Policy](#)

Send

YOU MAY ALSO LIKE...



**[Maytoni Dune 6-
light flush-mount
ceiling light -
chrome](#)**